

CBC Sling & Twist

The hygienic one-hand system for venipuncture

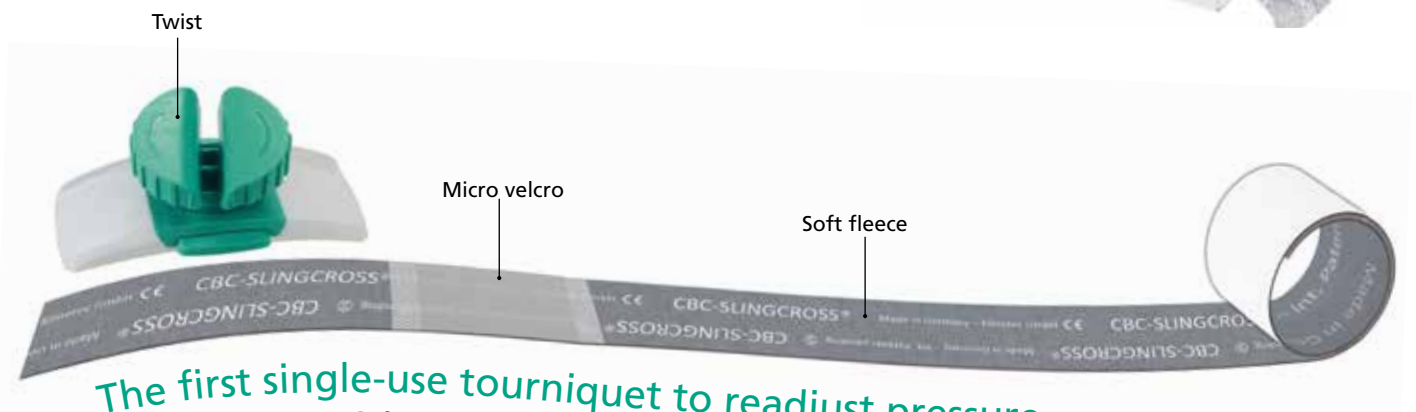


Advantages at a glance:

- Controlled compression, release and increase of pressure via twist clip
- Easy handling due to one-hand operation
- Allows for individual pressure for every patient
- Single use of strap: no cross-contamination with MRSA and other germs
- Broad strap (35 mm) prevents lacing or constricting of the skin
- Soft fleece for an easy handling even with gloves
- Micro velcro for easy closing and opening sticks along the complete strap
- Convenient strap removal from the roll
- **Made in Germany**

Areas of use:

- Clinics and medical practices
- Isolation wards
- Rehab and blood donation centres
- Rest and nursing homes
- Emergencies, aerial rescue, armed forces
- Oncology, etc.



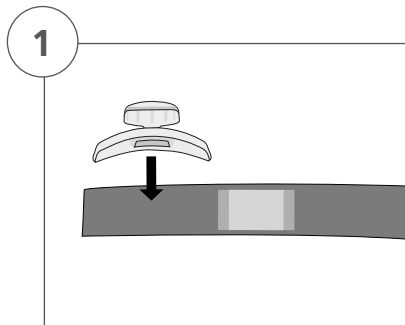
The first single-use tourniquet to readjust pressure with one hand

CBC Sling & Twist

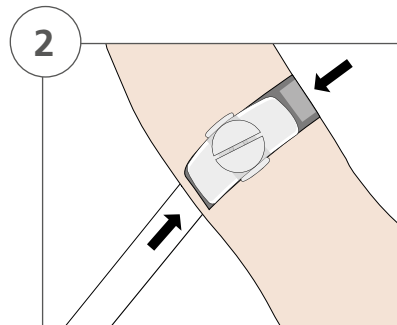
The hygienic one-hand system for venipuncture

Usage:

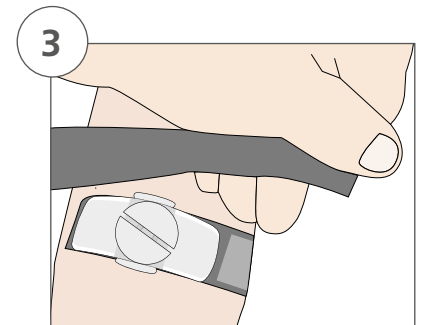
Training video:



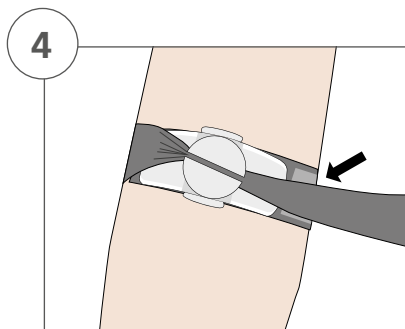
1 Place twist clip on the end of the strap



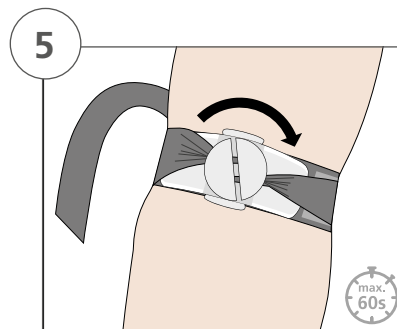
2 Place blank side on the patient's arm



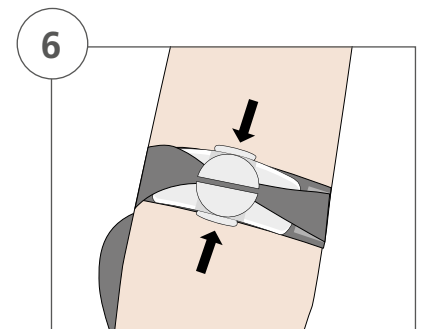
3 Pull strap through the twist clip



4 Fix in the velcro area



5 Create pressure by twisting (pulse palpable)



6 To release simply press buttons on the side

Dispose of single-use tourniquet after its use in accordance with regulations to avoid cross-contamination.

Clean twist clip with disinfectant before using it again.



SILICONE
FREE

DEHP
FREE

LATEX
FREE

Ordering data:

Item number	CBC Sling & Twist Product Description	Packing unit
REF 521003 005	CBC Slingcross®: 3.5 cm wide, 65 cm long (ca. 2 g)	1 roll with 50 pieces in dispenser box
REF 521021	CBC Twist: 3.5 cm wide, 7 cm long, 2.5 cm high (16 g)	1 piece
REF 521030	CBC Sling & Twist Starterkit	1 CBC Twist incl. 2 CBC Slingcross®
REF 521003 011	CBC Slingcross® Value pack	10 dispenser boxes with 50 pieces